

# Venice

*Freedom to choose*

Numero Verde  
**800 501711**

visita il nostro nuovo sito!  
**www.ferno.it**

 **FERNO**

Sede Legale e Uffici Commerciali  
Via B. Zallone n. 26  
40066 Pieve di Cento [Bo] | Italy  
P +39 051 6860028 | F +39 051 6861508  
info@ferno.it

 **FERNO**

# ACCESSORIES

+ total weight  
**9,8KG**

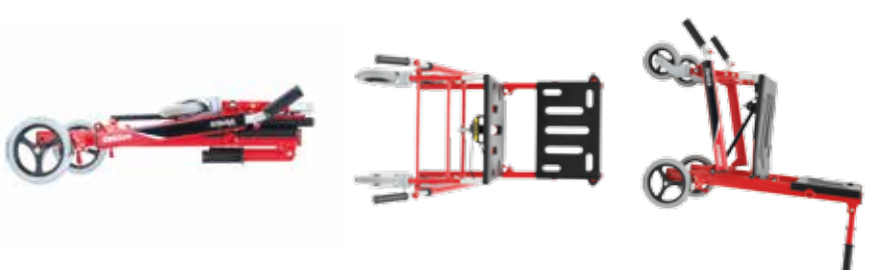
+ load capacity  
**230KG**

## Venice

The Venice Chair is one of the lightest on the market, it weighs only 9,8 kg. Its design allows customising it according to your needs, thanks to the wide range of accessories.

+

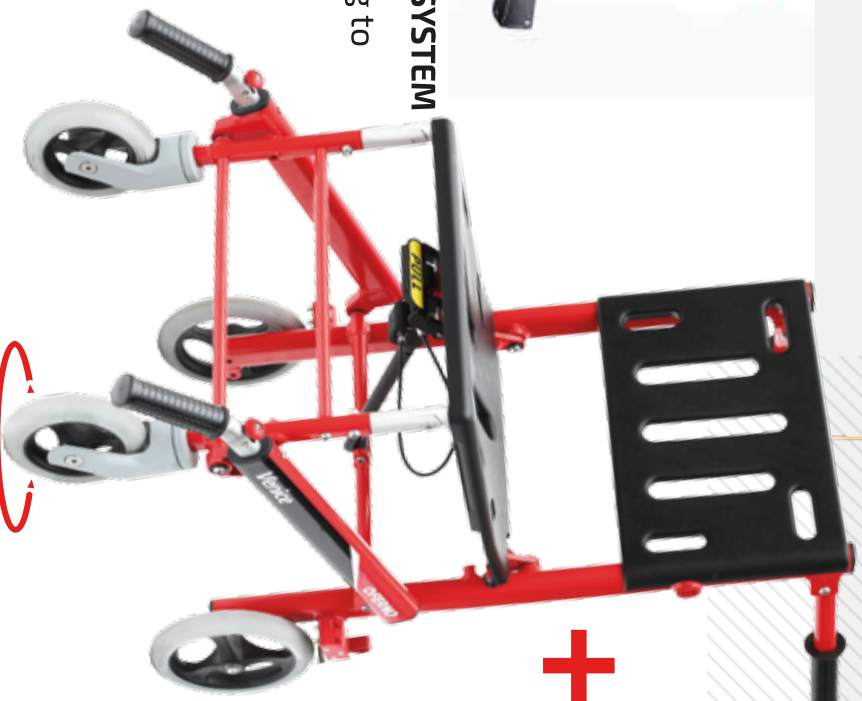
+ **EN 1865**  
**CERTIFIED**



+ closed in  
**20 cm**



+ **LOCKING SYSTEM**  
certified according to **EN1789 10C**



+ **EN 1865**  
**CERTIFIED**

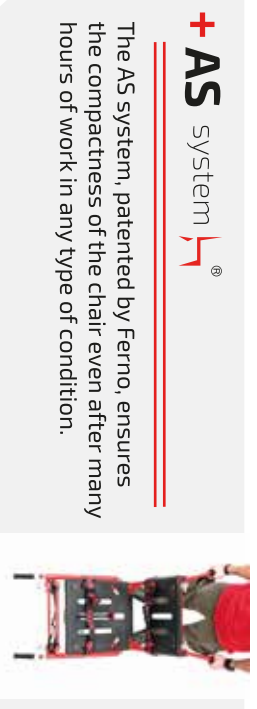
**locking** front wheels



+ **extendible** front handles



+ **magnetic** wheel closing



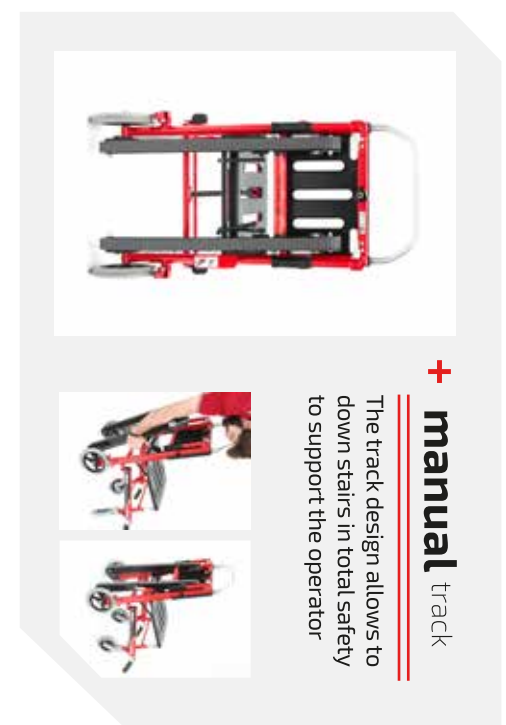
+ **AS** system

The AS system, patented by Ferno, ensures the compactness of the chair even after many hours of work in any type of condition.



+ **manual** track

The track design allows to down stairs in total safety to support the operator



+ **control** box

The control box guarantees use even in the most extreme temperature conditions.

The speed can be modulated thanks to the push-button controls that allow adjusting the speed according to the force applied on the button.



+ **oversized** wheel

Thanks to the new oversized wheels with 200 mm diameter and high grip, it is possible to use the Venice chair on any type of surface, both indoor and outdoor, ensuring safe and fast transport.



+ **motorised** track

Thanks to the short track, the Venice chair is easier to handle even in confined spaces. The smaller rest surface reduces the possibility of slipping. Moreover, the sliding block features a special groove, which allows the track to remain firmly anchored, thus ensuring greater safety and reliability.

+ **2 types of handles**  
It is possible to choose between two types of handles, depending on the transport mode chosen by the operators.



+ **light**

The built-in light provides greater visibility to the operator in poor lighting conditions.



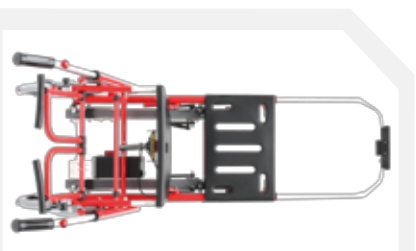
**backit**



**Wi-Fi**

+ **adjustable** armrests

The adjustable armrests ensure excellent comfort, even during the transport of bariatric patients, thanks to their numerous positions.



+ **leg rest**

The leg rest can be adjusted in height and length to obtain an optimal support that can be adapted to any need. The leg rest can also be used as footrest for a comfortable and safe transport.



+ compatible with **monorudder**

With Monorudder it is possible to motorise transport chairs in 3 simple steps:

- 1+ Lift
- 2+ Hook
- 3+ Press the device towards the chair backrest



+ **2 YEAR**  
WARRANTY